

Measuring Instructions

For Eco Shield Replacement Windows

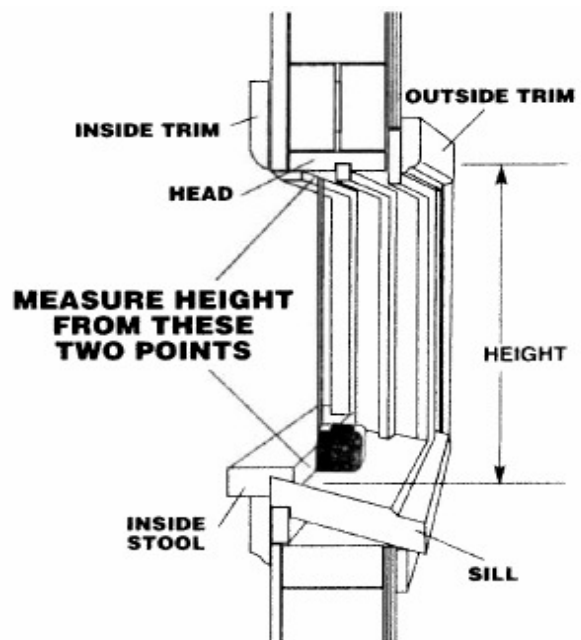
1. Eco Shield double hung replacement windows are manufactured on the odd eighth inch on the width and the quarter inch on the height

Example: WIDTHS
27-1/8", 27-3/8", 27-5/8", 27-7/8"

Example: HEIGHTS
50-1/4", 50-1/2", 50-3/4", 51"

Note: **Width:** Eco Shield will deduct at least 1/4" from the opening size so the master frame will be manufactured tip-to-tip 1/4" to 3/8" under the opening measurement.

Height: Eco Shield will deduct at least 1/2" from opening size so the master frame will be manufactured tip-to-tip 1/2" to 5/8" under the opening size measurement, except for the 2000 Single Hung, Slider & Picture Window, and the 7000 Casement & Awning will be the same cut backs as the width, as there is no head expander.



2. Eco Shield horizontals sliders will be cut on the 1/4" on the width and height. Deductions for tip-to-tip size same as double hung above.

Example Slider Widths:
40-1/4", 40-1/2", 40-3/4", 41"

Note: The tip-to-tip manufacturing size will be 1/4" to 3/8" under the opening size



3. **WIDTH:** Measure between jambs at three points: top, middle and bottom. Use the **smallest** measurement.

4. **HEIGHT:** Measure between the outside sill, at the stool, and the top of the window casing on the left and right sides. Use the **smallest** measurement.

5. Overall width of window unit is 3 1/4"

