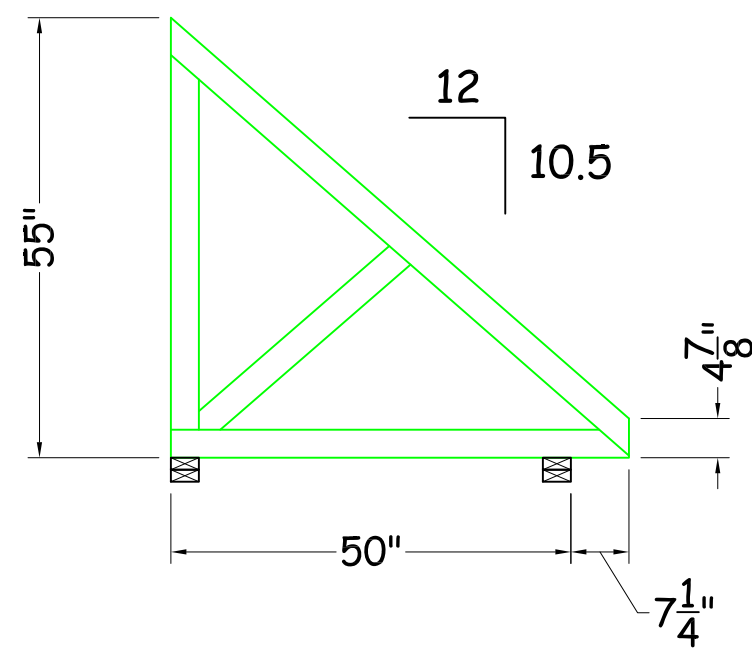
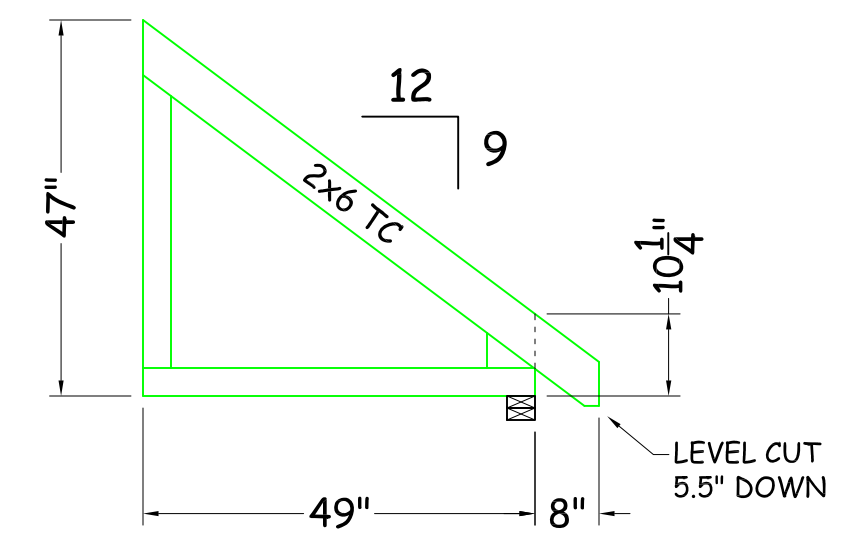
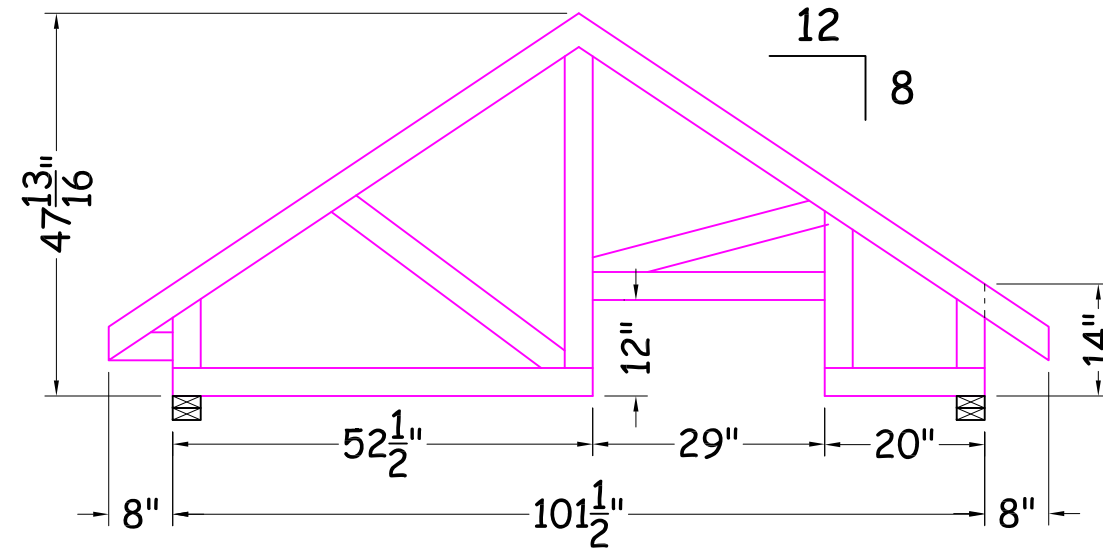
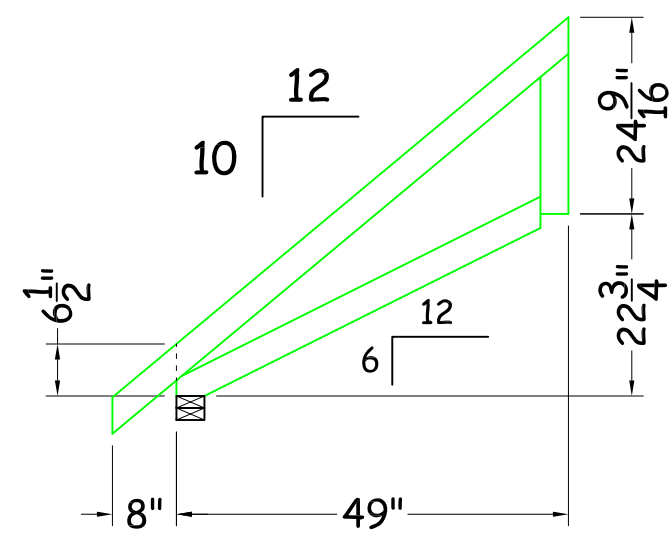


DISPLAY #1

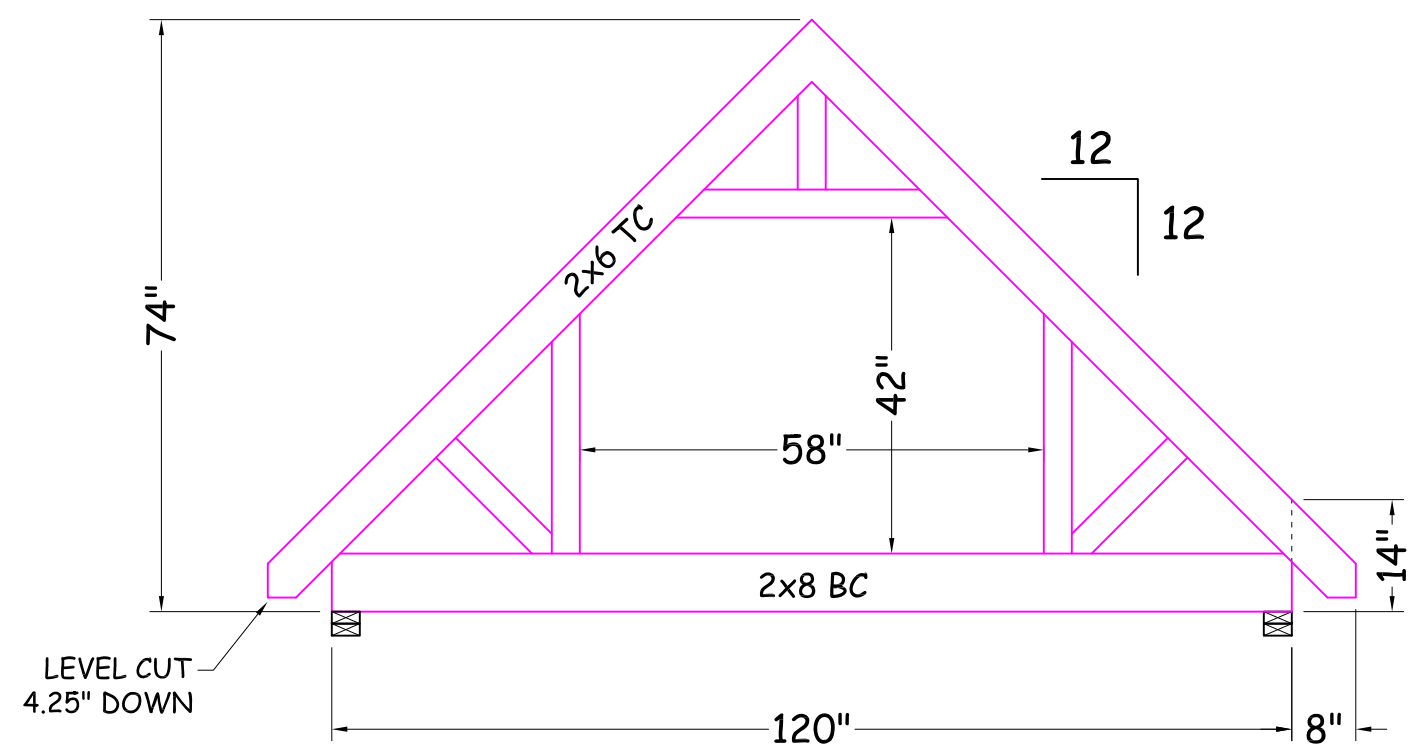


NOTES

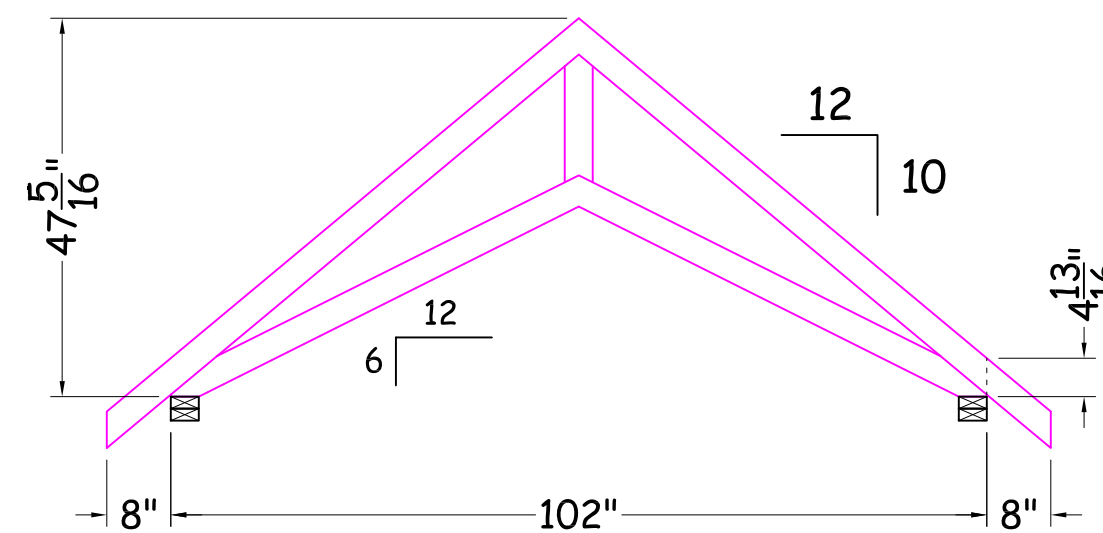
1. TRUSS WEBS & CHORDS TO BE 2x4 UNLESS NOTED OTHERWISE.
2. BEARINGS/ SEATCUTS ARE 2x4
3. ADD A WEB BRACING TAG ON AT LEAST ONE TRUSS AT DISPLAY #1



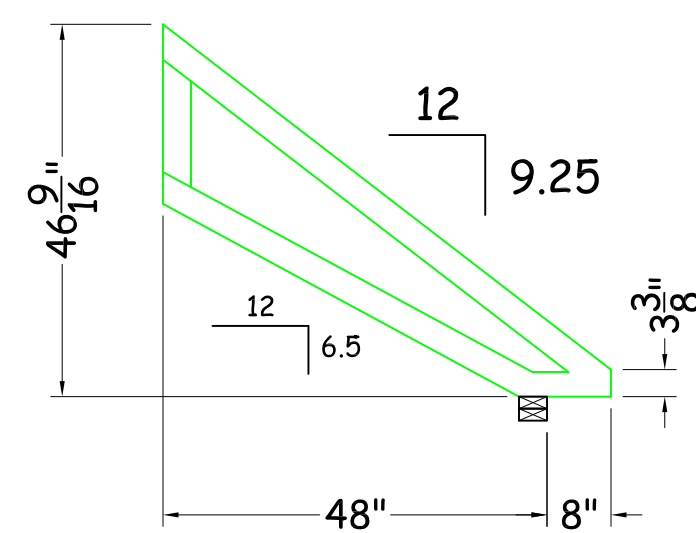
DISPLAY #2



DISPLAY #3



DISPLAY #4



CONTRACTOR TO VERIFY ALL DIMENSIONS, SPECS, AND THAT ALL STATE & LOCAL BUILDING CODES ARE MET PRIOR TO CONSTRUCTION

JOB:
DATE: 03/24/2017
REV: 03/31/2017

ROOF TRUSS DISPLAY
MILFORD LUMBER CO.
72 MONT VERNON STREET
MILFORD, NH 03055

SHEET

A-1

SCALE 1/2" = 1'-0"